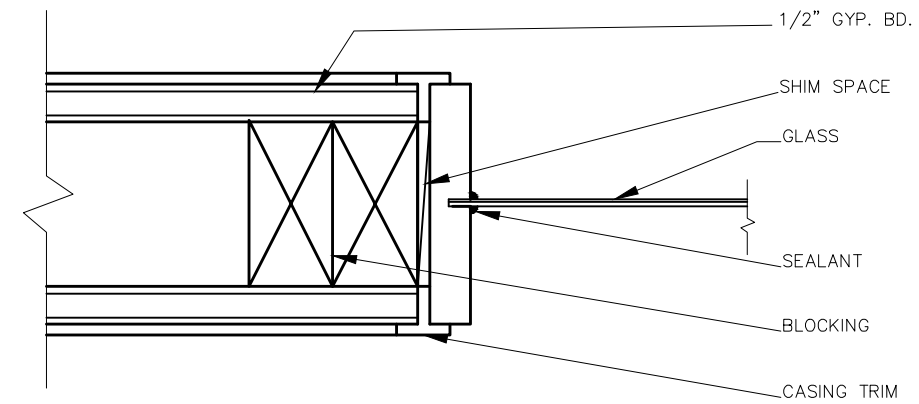


STAIR STRINGER

3" - 1'-0"

2



WALL PARTITION WITH GLASS

3" - 1'-0"

1

IGLOO DESIGN

5999 CAMDEN CIRCLE
CITRUS HEIGHTS, CA 95621

PHONE: (408) 674-9319
FAX: (408) 789-1234

MR. AND MRS. SMITH LOFT

123 BUCKINGHAM DRIVE
SANTA CLARA, CA 95051

PHONE: (408) 123-4567

WALL PARTITION
STAIR STRINGER

DATE: 6/13/11

SCALE: 3" - 1'-0"

DRAWN BY: ISABELLA
TIO

SHEET NUMBER:

A7.0